

Installation Steam Problem and Fix Warning

Installation

1. Connect the point to the steam delivery line, which is connected to the steam room. (1 + B)
2. Connect the point to the water level, which comes from the main water line. (2+A)
3. Pressure relief value to release the pressure developed in the vessel. (security purpose)
4. Connect the point to the steam drain line, which is connected to the drain. (4+C)
5. Connect the three-pin top to a 16 amp socket. (5+ main power line)

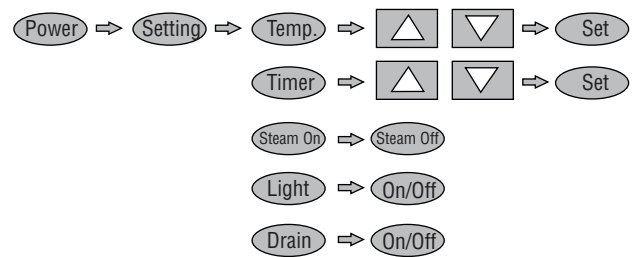
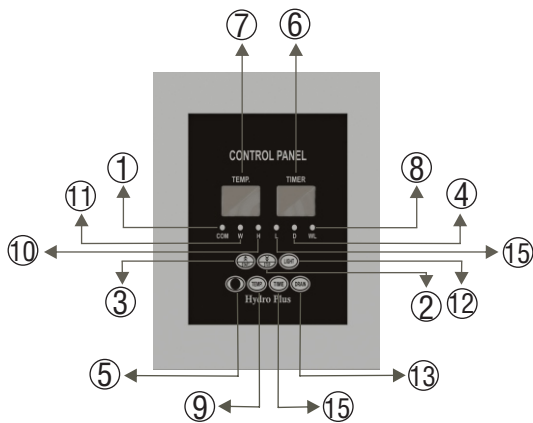
Servicing Manual

Steam Trouble

1. Cold water in case of coming from steam line.
2. Cold water coming from steam line in closed condition.
3. It takes time for steam to come out.
4. Loss of pressure in the steam room.
5. Completely clogged Steam unit not working.
6. Check the timer
7. Check the temperature
8. Hot water in running condition coming from steam line.

Rectification

- Drain button
- Cleaning of solenoid valve.
- Main inlet line is closed.
- Check the water heater.
- Check the main supply.
- Reset
- Reset
- Cleaning of solenoid valve.



1. Com. Display
2. Stop/Du
3. Start/Up
4. Drain Display
5. Power

6. Display Time
7. Display Temp.
8. Water Level Display
9. Temp. Button
10. Heater Display

11. Water In
12. Light Button
13. Drain Button
14. Light Display
15. Time Button

NOTE : If there is any problem please contact the company.

WARNING: The use of alcohol, drugs, or medications may substantially increase the risk of complete hyperthermia.
manual steam shower

Steam Bath



The **Steam Bath** is totally different from bathing. A steam generator located outside the steam room itself produces clouds of soothing steam in which to bath. The 100% humidity means that for most people, the bathing temperature is most comfortable at around 40°C - 45°C.

Steam Bathing is an excellent treatment for respiratory problem, pain relief, and grants better immunity, it enhances the detoxifying capacity of skin by opening pores and flushing impurities from the body, it revives tired and strained muscles after physical exertion. You will discover that a steam bath ahead of bath time is an excellent method of promoting a deep restful sleep.

The bathing timing limit is 10 -15 minutes. Do not push your body beyond its comfort levels. Drink plenty of water before and after the steam bath to replace fluids lost during bathing.

We are counted among successful Manufacturer, Importer and supplier of Steam Bath. Steam Bath is basically designed by us keeping in mind the various requirements of client to relieve stress. It is very affordable and hence can serve to every class of people. The material used by us in making Steam Bath is of supreme quality.

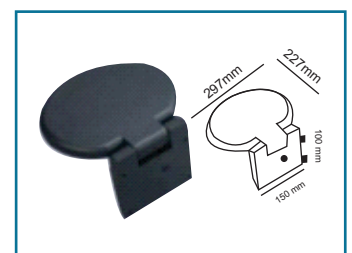
Note - The use of alcohol, drugs or medication can greatly increase the risk of total hyperthermia.



Steam Generator Model No. SSEL-300
with HMID Control Panel & PLC



Control Panel



Steam Chair



LED Light



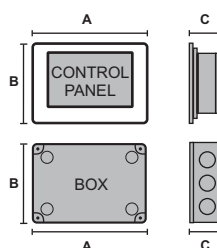
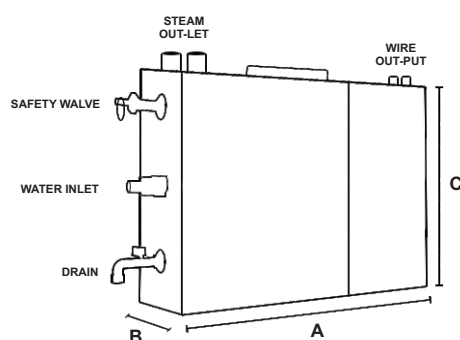
Steam Outlet

FEATURES & TECHNICAL DETAILS

Detail	Advantage
Microprocessor Based Technology	The PLC with HMID is based on marvel technology with 4x4 inch Digital Display.
Auto Cut off	It shuts down the machine after the set time & room temperature. No need to remember to put it off.
Time / Temp. Display	Display Time and Temperature On Control Panel
Light On / Off	One may switch on/off the light of steam room with the switch provided on digital display panel.
Internal Wiring in Steam Room	It is done with Teflon wire that can tolerate the high temperature & is fire safe.
Steam Generator Internal Body	Stainless Steel 304 Grade
External Body	Stainless Steel 304 Grade.
Heating Element	Incoloy
Steam Generators	Commercial use heavy duty type.
Panic Button With Buzzer	For Emergency Push the button all system off & on buzzer
100% Safety	The unit is pressure barred. The steam room is never blocked Additional safety valve is also incorporated.
Instant Steam	The Steam room is ready for use in less than 5 Minutes depending on ambience temp.
Auto Water Level Sensor	It Maintains the water level. Automatically switches off the machine in case water supply is interrupted due to any reason.
Dry Tank Protection	If there is no water in the tank and the heater is running machine, the auto-cut mode will be started.
Silent Features	Some silent features for service and maintenance

TECHNICAL DATA

KW Rating	Max Recommended Room Volume Cu. ft	Steam Outlet	Supply Voltage (V), 50Hz	Phase	MCB		Wire Size mm ²	Dimension (in inch) A x B x C
					Amps Rating	Type		
4.5	80-100	1(20MM)	230	Single	32A	DP	4	22"x6"x15"
6	120-140	1(20MM)	230	Single	40A	DP	4	25"x7"x15"
9	180-200	2(20MM)	415	Three	40A	TPN	4	27"x10"x19"
12	240-270	2(20MM)	415	Three	63A	TPN	6	27"x10"x19"
15	300-330	2(20MM)	415	Three	63A	TPN	6	30"x13"x23"
18	300-400	2(20MM)	415	Three	80A	TPN	6	30"x13"x23"

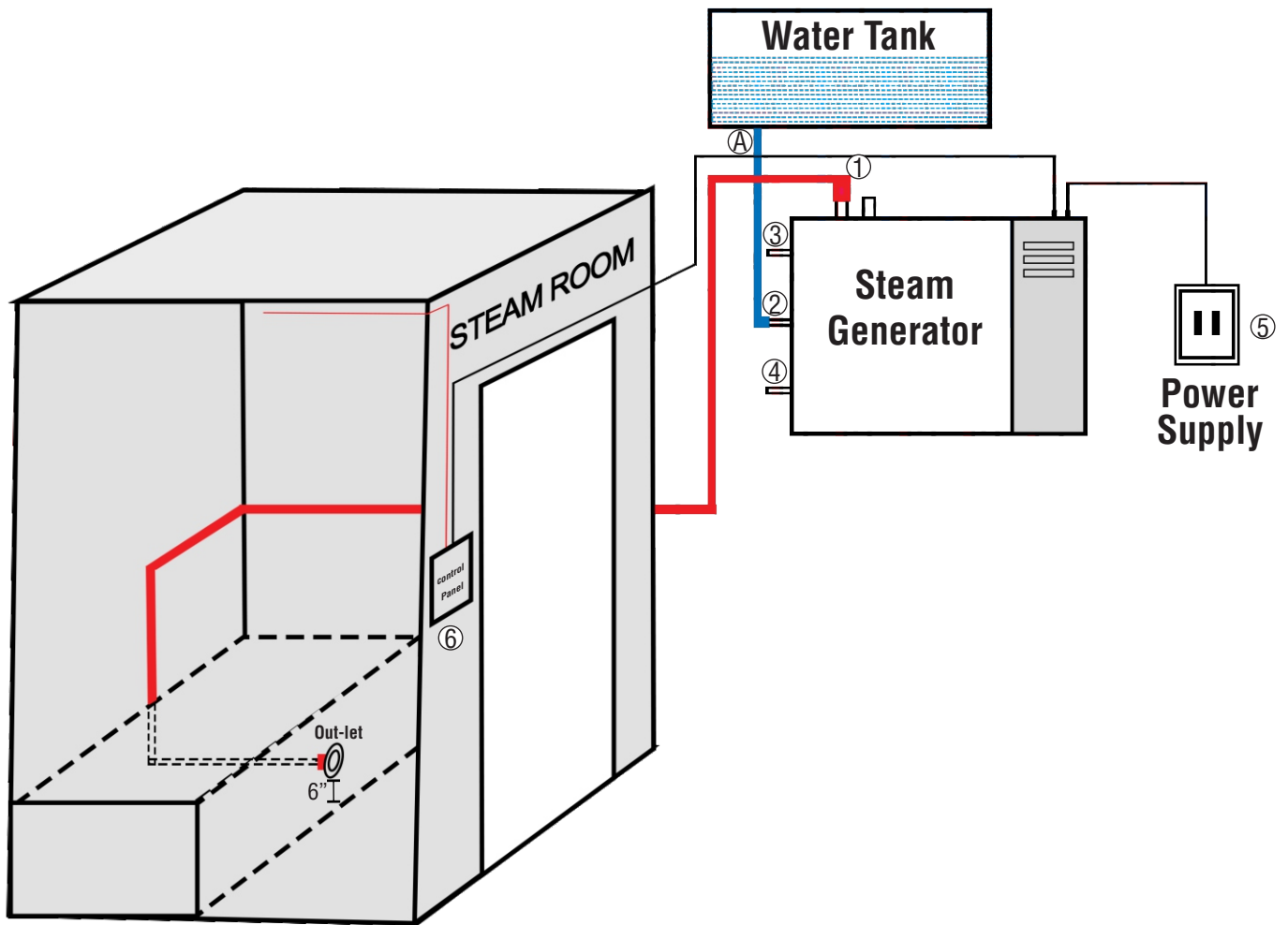


Control Panel Dimension

Name	Dimension (in mm) A x B x C
Control Panel 4.5"	125 x 90 x 35
Control Panel 7"	205 x 150 x 40
Box Size 4.5"	155 x 113 x 35
Box Size 7"	250 x 200 x 50

Steam Installation and Problem Rectification

Steam Room Layout



Pipeline Layout

1. Steam Out-let 3/4" (1 and 2)
2. Water Inlet 1/2"
3. Pressure Relief Value 1.1/2"
4. Drain 1/2"
5. Power line 230 or 430 (volt.)
6. Control Panel

Installation Steam Problem and Fix Warning

Installation

1. Connect the point to the steam delivery line, which is connected to the steam room. (1 + B)
2. Connect the point to the water level, which comes from the main water line. (2+A)
3. Pressure relief value to release the pressure developed in the vessel. (security purpose)
4. Connect the point to the steam drain line, which is connected to the drain. (4+C)
5. Connect the three-pin top to a 16 amp socket. (5+ main power line)

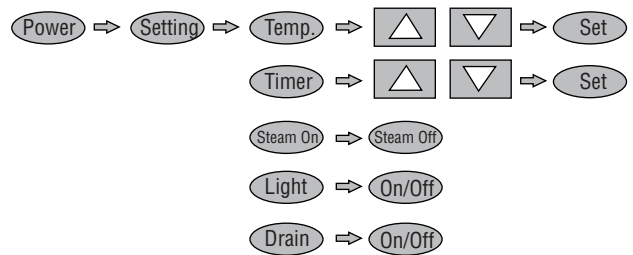
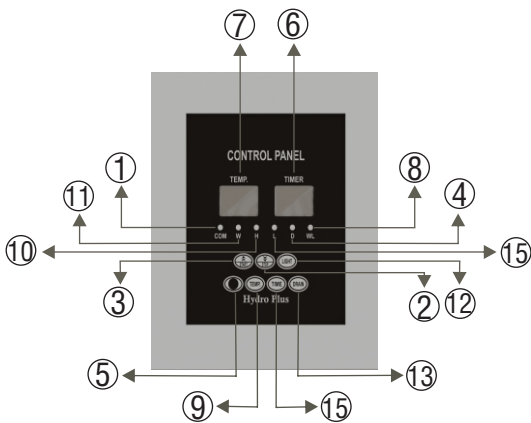
Servicing Manual

Steam Trouble

1. Cold water in case of coming from steam line.
2. Cold water coming from steam line in closed condition.
3. It takes time for steam to come out.
4. Loss of pressure in the steam room.
5. Completely clogged Steam unit not working.
6. Check the timer
7. Check the temperature
8. Hot water in running condition coming from steam line.

Rectification

- Drain button
- Cleaning of solenoid valve.
- Main inlet line is closed.
- Check the water heater.
- Check the main supply.
- Reset
- Reset
- Cleaning of solenoid valve.



1. Com. Display
2. Stop/Du
3. Start/Up
4. Drain Display
5. Power

6. Display Time
7. Display Temp.
8. Water Level Display
9. Temp. Button
10. Heater Display

11. Water In
12. Light Button
13. Drain Button
14. Light Display
15. Time Button

NOTE : If there is any problem please contact the company.

WARNING: The use of alcohol, drugs, or medications may substantially increase the risk of complete hyperthermia.
manual steam shower